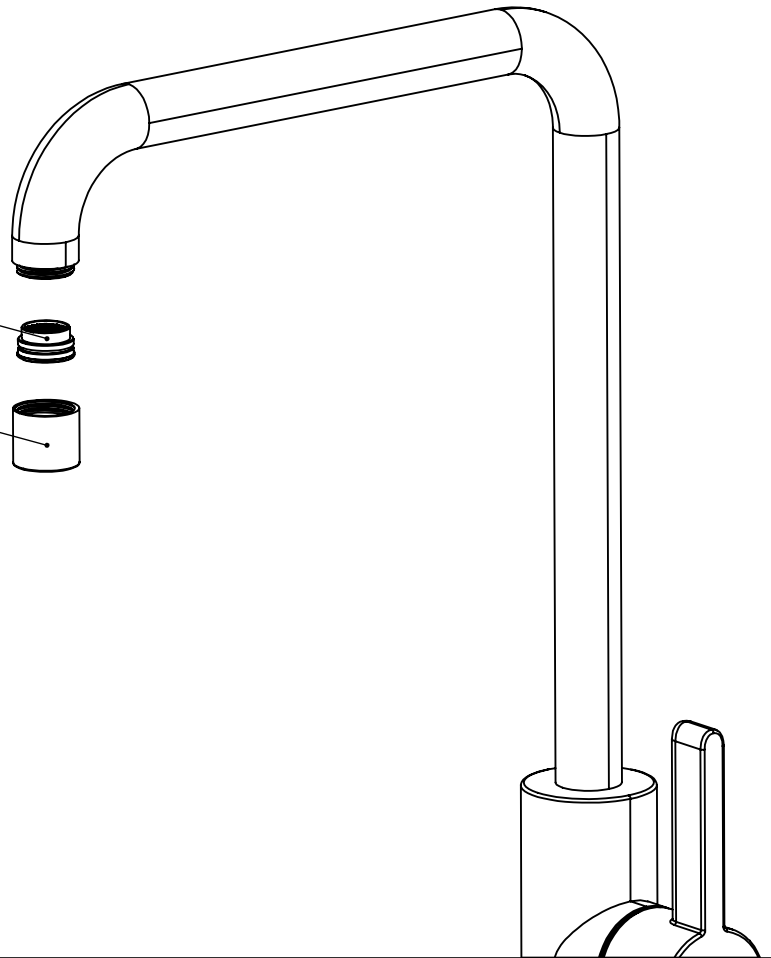
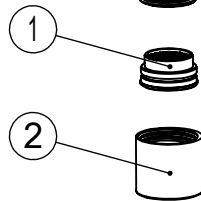


Exploded view

1. Screw the Aerator cover (2) counter clockwise until it is loose. Remove Aerator (1) and cover (2).



2. Screw the threaded connector (3) clockwise onto ZDOC097 (5) and make sure the rubber ring (4) is tightened in between.

3. Screw (3), (4), (5) as a whole, clockwise onto the spout of the kitchen faucet.

