

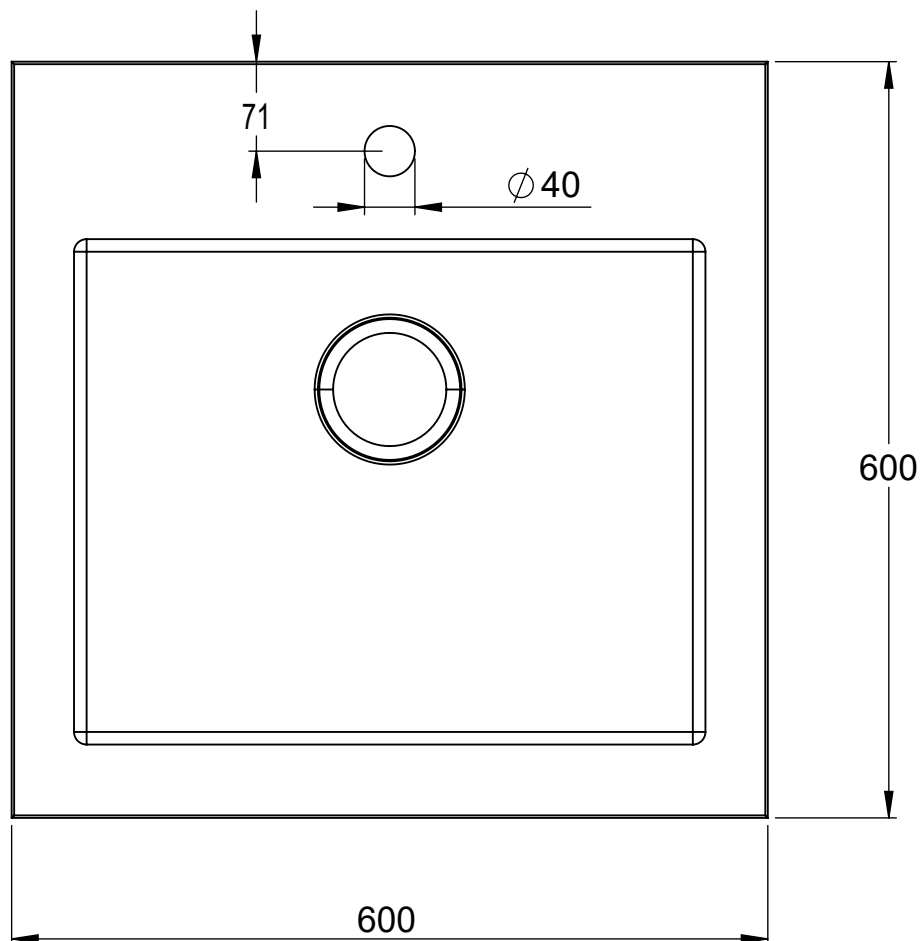
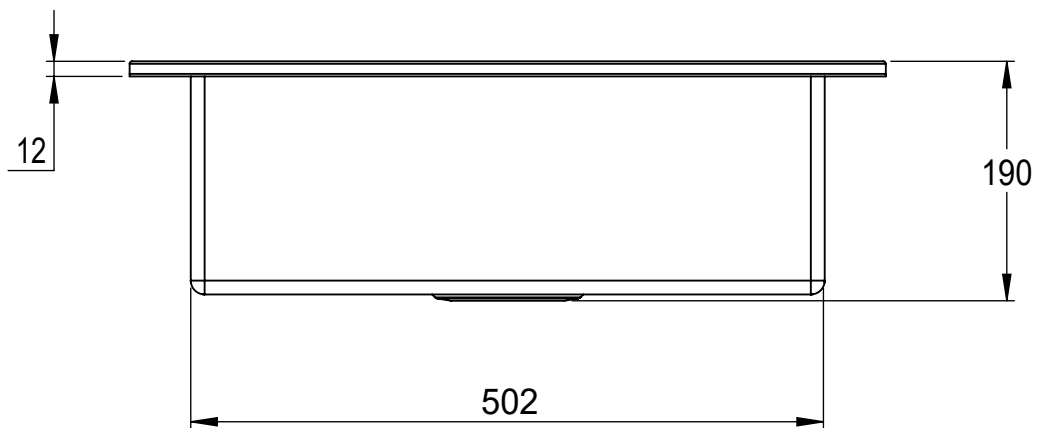
Tapwell

Dimension Drawing

Level-12-600600

Hole dimension: $\text{Ø } 40$

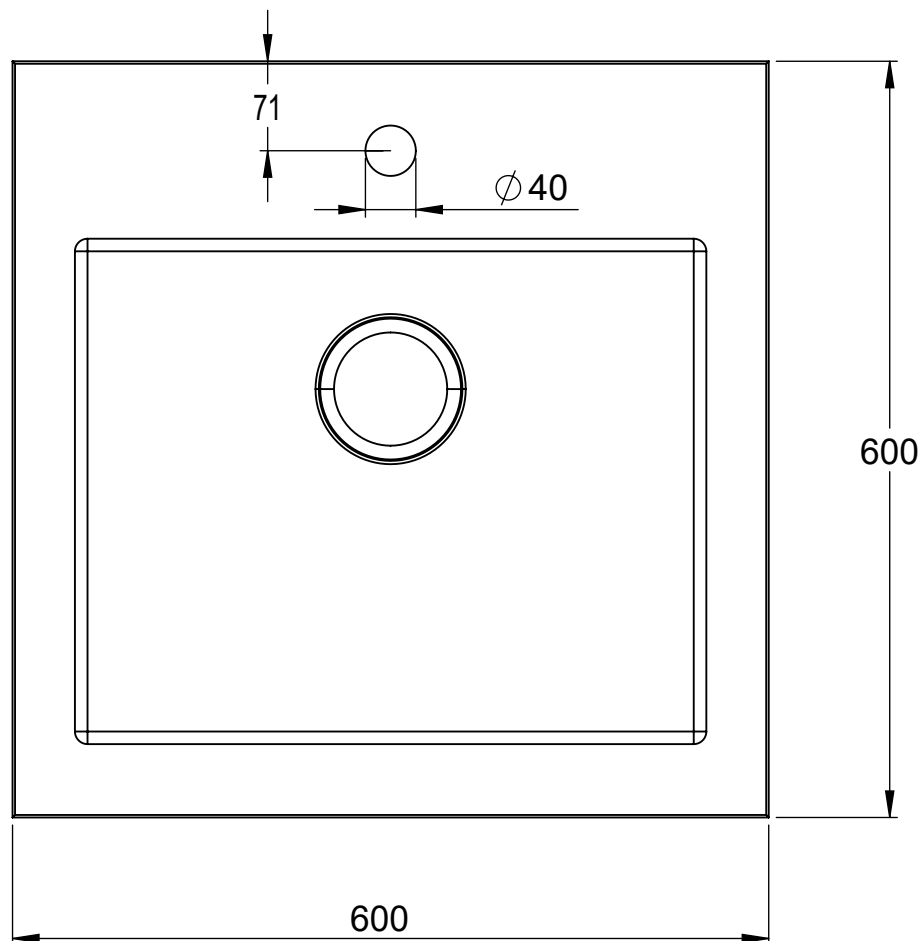
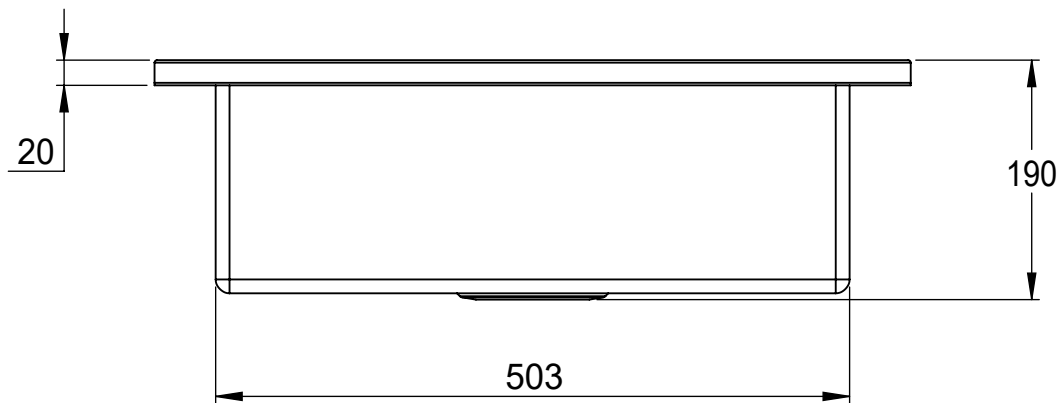
Metric (mm)



Tapwell Dimension Drawing Level-20-600600

Hole dimension: $\varnothing 40$

Metric (mm)



Tapwell Dimension Drawing Level-30-600600

Hole dimension: $\varnothing 40$

Metric (mm)

