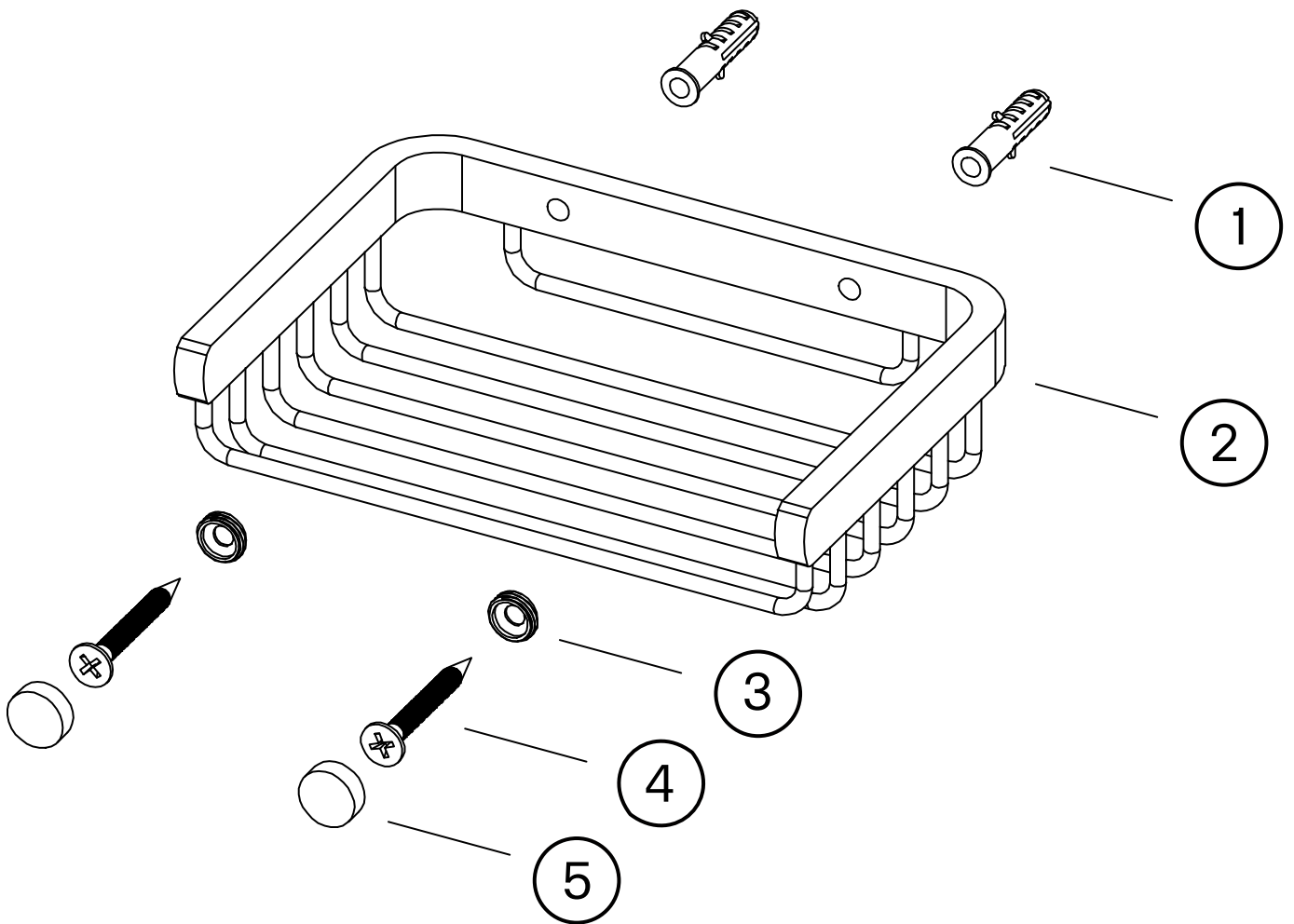


Explosion Drawing



1. Screw Plug $\text{\O}6 \times 30 \text{ mm}$
2. Soap dish $130 \times 89 \times 33 \text{ mm}$
3. Screw attachment $\text{M10} \times 1 \times 2,5 \text{ mm}$
4. Screw $\text{M4} \times 35 \text{ mm}$
5. Screw cover $\text{\O}11,5 \times 5 \text{ mm}$