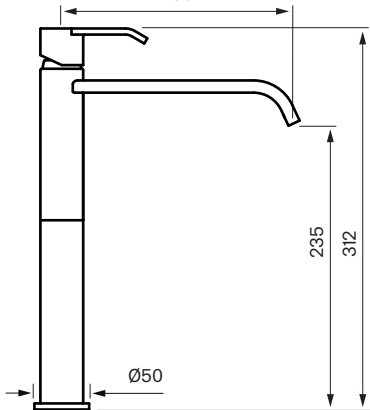


190



$\text{Ø}50$

235

312



Hole dimension
 $\text{Ø}35$

10 mm

